

ACCESSORIES FOR SENSORS

040.11en



THERMOWELLS

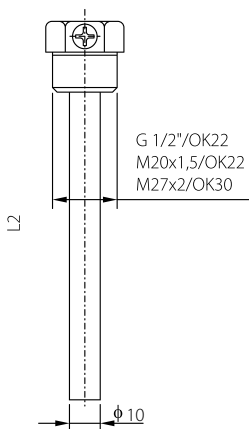
Thermowells are component parts that are usually screwed in or welded in a pipe line. They protect the measuring part of the sensors against the influence of the liquid being measured. Thermowells enable the replacement of the temperature sensors while the technological equipment is in operation. All of the thermowell types manufactured by SENSIT s.r.o. are made of high-quality stainless steel 1.4301. They are standardly provided with G1/2" thread, but is also possible to deliver them with the G 3/8", M 20 x 1.5, M 27 x 2 threads or even others if necessary. In addition to the standard lengths listed in catalogues, thermowells can also be manufactured in non-standard lengths. Temperature sensors are locked in the thermowell with a M4 x 10 screw.

AND WATER VAPOUR / WATER [m.s⁻¹]

Thermowell length L2 (mm) Thermowell diameter (mm)	up to 60	> 60 to 100	> 100 to 160	> 160 to 220	> 220 to 400
Ø 6 and Ø 8	20 / 2.0	15 / 1.5	8.0 / 1.0	2.5 / 0.6	0.6 / 0.3
Ø 10 and Ø 12	35 / 3.5	30 / 3.0	15 / 2.0	5.0 / 1.2	1.6 / 0.8

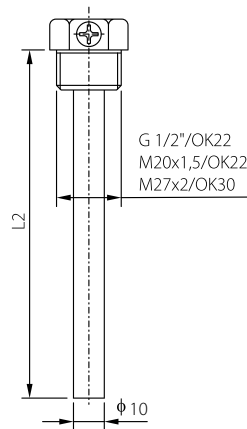
DIMENSIONAL DRAFT

Thermowell JS 130



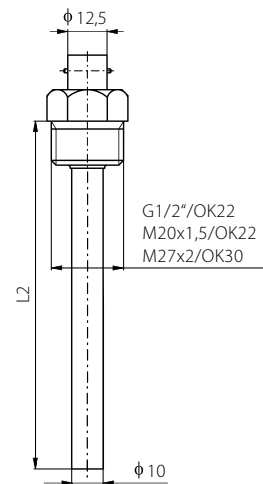
Use: temperature sensors with stem, temperature sensors with metal connection head, PTS 580P, PTS 580K
Temperature range: -100 to 450 °C
Standard lengths L2: 50, 100, 160, 220, 280, 340, 400 mm
Max. stem diameter: 6.2 mm

Thermowell JS 130



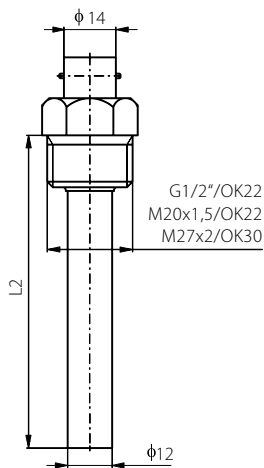
Use: temperature sensors with stem, temperature sensors with metal connection head, PTS 580P, PTS 580K
Temperature range: -100 to 450 °C
Standard lengths L2: 50, 100, 160, 220 mm
Max. stem diameter: 6.9 mm

Thermowell JS 130



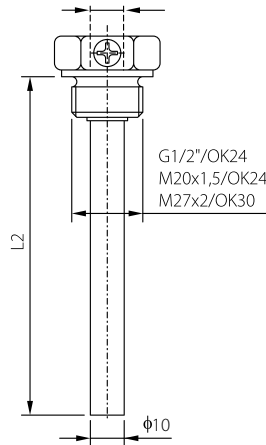
Use: cable temperature sensors with bayonet TG 60, TG 61, TG 62
Temperature range: -100 to 450 °C
Standard lengths L2: 50, 100, 160, 220, 280 and 400 mm
Max. stem diameter: 6.2 mm

Thermowell
JS 130F



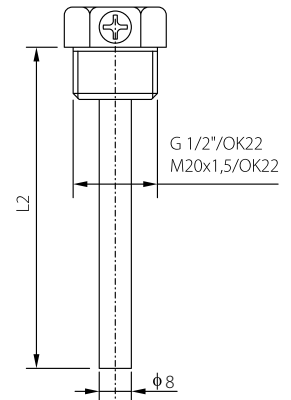
Use: cable temperature sensors with bayonet
TG 80, TG 81, TG 82
Temperature range: -100 to 450 °C
Standard lengths L2: 50, 100, 160, 220, 280,
400 mm
Max. stem diameter: 8.9 mm

Thermowell JPTS 41



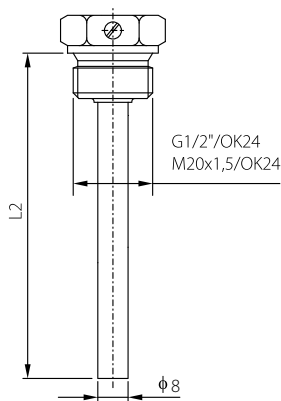
Use: platinum temperature sensors up to 400 °C
PTS 41, PTS 43, PTS 45, PTS 51, PTS 81
Temperature range: -100 to 450 °C
Standard lengths L2: 50, 100, 160, 220, 280,
400 mm
Max. stem diameter: 6.2 mm

Thermowell JTG 8



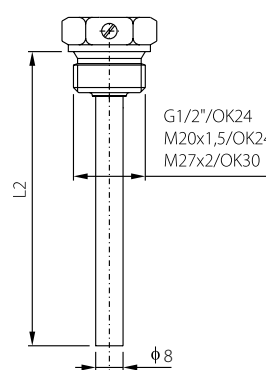
Use: sensing elements in case of TG 8
Temperature range: -100 to 450 °C
Standard lengths L2: 40, 60, 80, 100 mm
Max. stem diameter: 5.9 mm
(part of the sensor has to be fixing ring TG 8)

Thermowell JTP 11



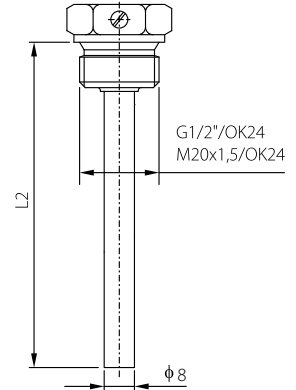
Use: only for paired temperature sensors TP 11
Temperature range: -100 to 450 °C
Standard lengths L2: 86, 136, 176 mm
Max. stem diameter: 5.8 mm

Thermowell JTP 15



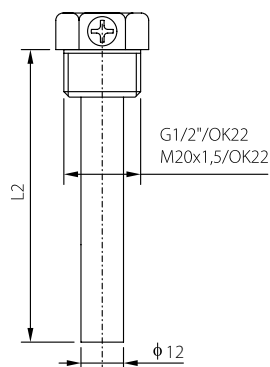
Use: paired temperature sensors TP 15
Temperature range: -100 to 450 °C
Standard lengths L2: 65, 105, 140, 230 mm
Max. stem diameter: has to be smaller than 6 mm
(tolerance according to standard EN 1434, as
amended)

Thermowell JTP 16



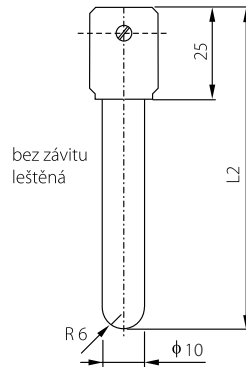
Use: paired temperature sensors TP 16
Temperature range: -100 to 450 °C
Standard lengths L2: 105, 140, 230 mm
Max. stem diameter: has to be smaller than 6 mm
(tolerance according to standard EN 1434, as
amended)

Thermowell J 001



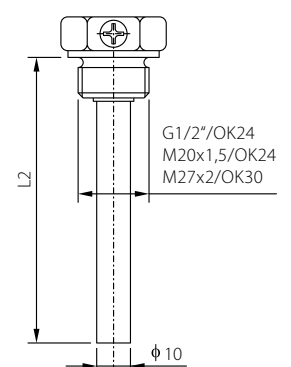
Use: for temperature sensors with diameter 8 mm
Temperature range: -100 to 450 °C
Standard lengths L2: 65, 105, 165 mm
Max. stem diameter: 8.9 mm

Thermowell J 010



Use: to food-processing industry, e.g. for
temperature sensors PTS 580P and PTS 580K
Temperature range: -100 to 450 °C
Standard lengths L2: 110, 170, 250 mm
Max. stem diameter: 6.3 mm

Thermowell JPTS 641



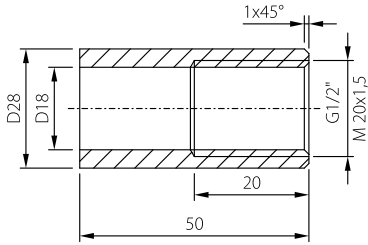
Use: platinum temperature sensors up to 600 °C
with protection IP 68 PTS 641, PTS 645, PTS 651
Temperature range: -100 to 450 °C
Material: stainless steel DIN 1.4571
Standard lengths L2: 50, 100, 160, 220, 280, 400 mm
Max. stem diameter: 6.9 mm

WELDED-ON PIECES

Welded-on piece is designed for direct mounting in pipes or for direct measuring by temperature sensor in medium. We standardly produce the welded-on pieces of a material stainless steel DIN 1.4301 or iron DIN 1.0254.

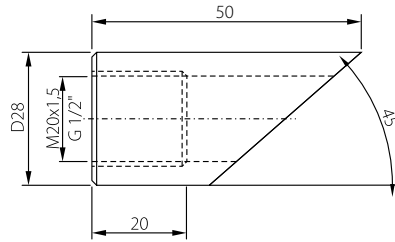
Direct welded - on piece

- stainless steel DIN 1.4301
- iron DIN 1.0254



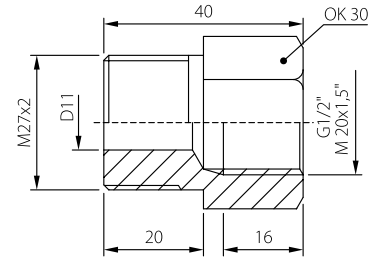
Skew welded - on piece -

- stainless steel DIN 1.4301
- iron DIN 1.0254



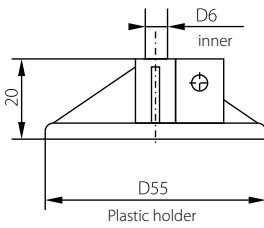
REDUCERS

Reducer - iron DIN 1.0737

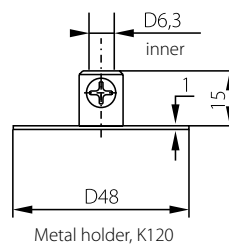


HOLDERS

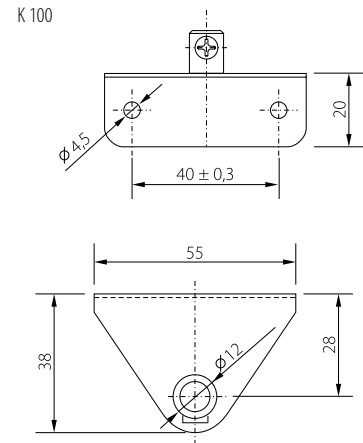
Plastic holder



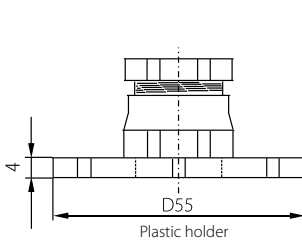
Metal holder K 120



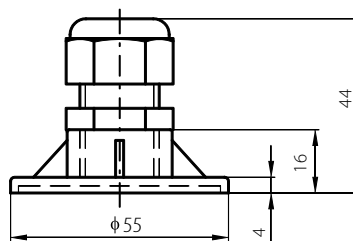
Metal holder K 110, K 110 C



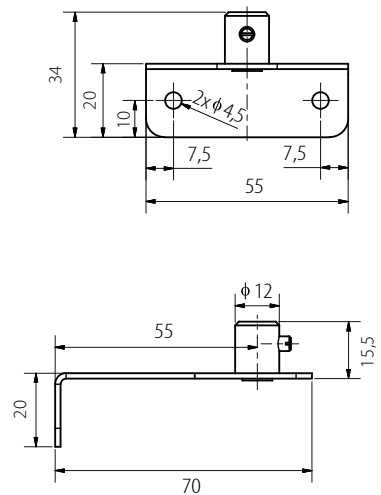
Plastic holder - humidity



Plastic holder - flow

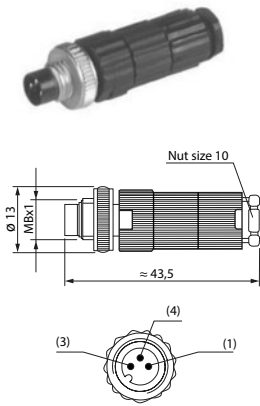


K 110C - explosive environment

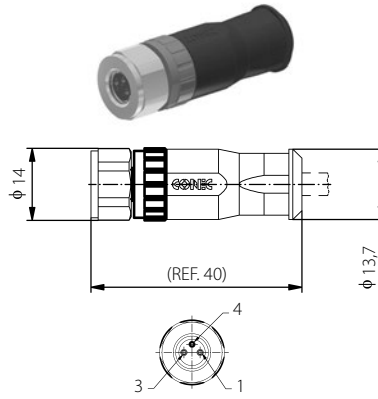


CONNECTORS

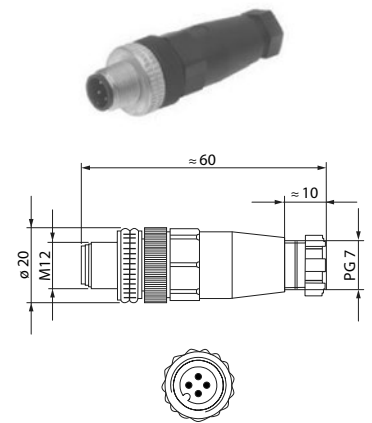
Connector ELST 3008V
for cable MALE



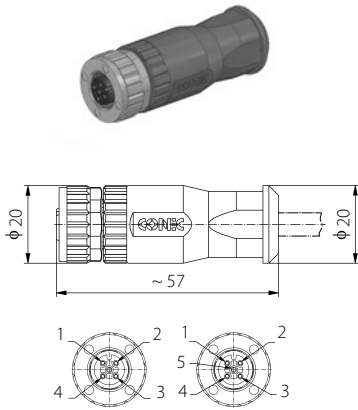
Terminal connector CONEC 42-00010
for cable FEMALE



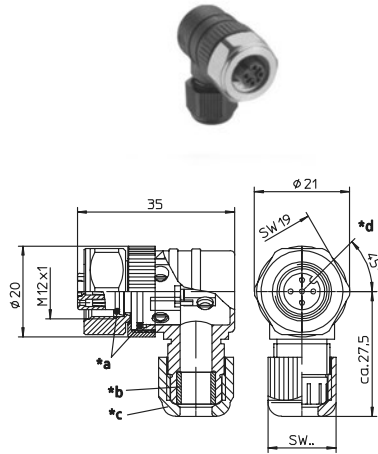
Connector ELST 4012
for cable MALE



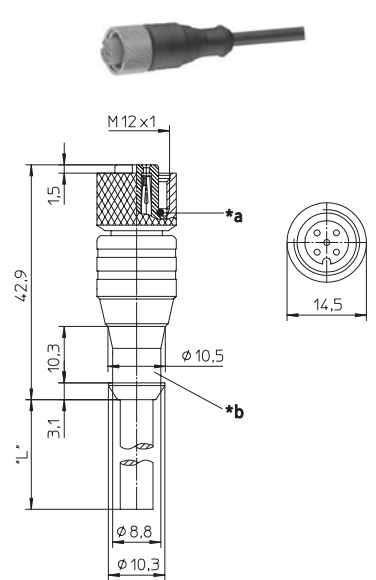
Terminal connector CONEC 43-00092
for cable FEMALE



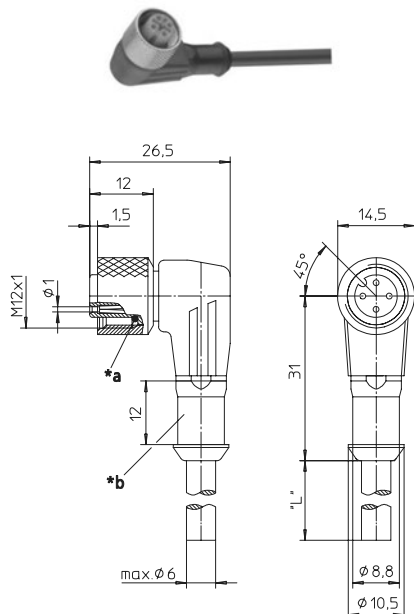
Rectangular connector RKCWN
for cable FEMALE



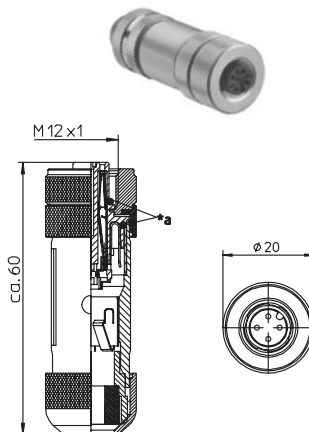
Direct connector RKT
with 5 m of cable FEMALE



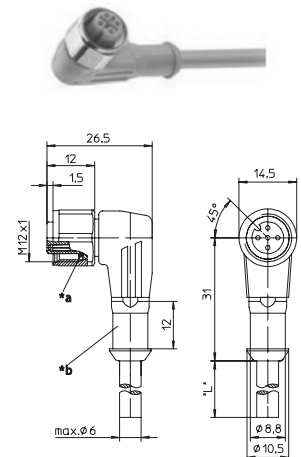
Right-angle connector RKWT
with 5 m of cable FEMALE



Terminal connector RKCS 4/9 stainless steel
for cable FEMALE

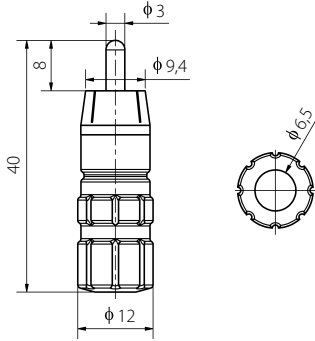


Right-angle connector PRKWT stainless steel
with 5 m of cable FEMALE

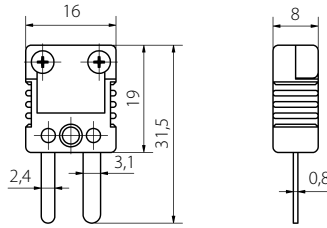


CONNECTORS

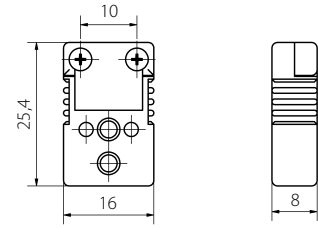
Connector CINCH VK – for cable FEMALE



Thermocouple connector – jack



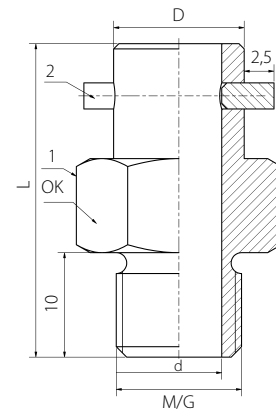
Thermocouple connector – plug



BAYONET ADAPTERS

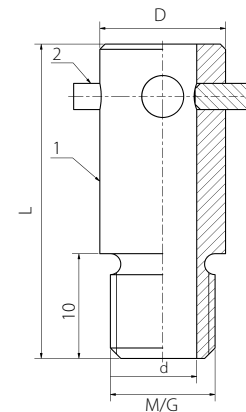
Bayonet adapter with a nut – BAM

Bayonet adapter - BAM				
OK	Thread M/G	Hole diameter d	Length of adapter L	Diameter of adapter D
17	M10 x 1	7 mm	25 - 100 mm	12 / 14 mm
	M12 x 1			
	M12			
	M14 x 1,5			
22	G 1/4	7 / 9 mm		
24	G 1/2			



Bayonet adapter smooth – BAH

Bayonet adapter - BAH			
Thread M/G	Hole diameter d	Length of adapter L	Diameter of adapter D
M10 x 1	7 mm	25 - 100 mm	12 / 14
M12 x 1			
M12			
M14 x 1,5			
G 1/4	7 / 9 mm		
G 1/2			



COMPRESSION FITTING

The POS compression fitting with a notched ring is an accessory designed for installation of temperature sensors with 3 - 8 mm diameters into thermowells, boreholes and various systems (gearboxes, bearings, etc.), and allows you to adjust a required immersion depth of the sensor in the measured medium. The compression fitting can be made of stainless steel DIN 1.4301 or DIN 1.4571. The fitting consists of three parts – mounting fitting for securing in a measured point, a notched sealing ring and a cap nut to tighten the ring. The selected immersion depth cannot be changed anymore after the tightening. The inner diameter of the compression fitting is always bigger by 0.1 - 0.2 mm than the sensor diameter.

Sizes, materials and threads of the compression fitting can be changed if required by the customer.

Fitting specification	Sensor diameter	Mounting fitting					Total length after tightening L
		Thread type	Thread length L1	Size OK	Thread type	Size OK1	
POS 30	3 mm	M 8x1	10 mm	12	M 8x1	12	35 mm
POS 30	3 mm	M 10x1,5	10 mm	14	M 8x1	12	35 mm
POS 30	3 mm	G 1/4"	10 mm	17	M 12x1	17	35 mm
POS 40	4 mm	M 8x1	10 mm	12	M 8x1	12	35 mm
POS 40	4 mm	M 10x1,5	10 mm	14	M 8x1	12	35 mm
POS 40	4 mm	G 1/4"	10 mm	17	M 12x1	17	35 mm
POS 60	6 mm	M 10x1,5	10 mm	14	M 8 x1	12	35 mm
POS 60	6 mm	M 12x1,5	10 mm	17	M 12x1	17	35 mm
POS 60	6 mm	M 20x1,5	15 mm	24	M 12x1	17	40 mm
POS 60	6 mm	G 1/2"	15 mm	24	M 12x1	17	40 mm
POS 80	8 mm	M 12x1,5	10 mm	17	M 12x1	17	35 mm
POS 80	8 mm	G 3/8	15 mm	22	M 12x1	17	40 mm
POS 80	8 mm	M 20x1,5	15 mm	24	M 12x1	17	40 mm
POS 80	8 mm	G 1/2"	15 mm	24	M 12x1	17	40 mm

DIMENSIONAL DRAFT

