

DESCRIPTION AND APPLICATION

The SENSITEST 204C and 2004C digital thermometers are intended in connection with temperature probes to measure temperature of solid, liquid and gaseous substances. These thermometers consist of a plastic box provided with a 3 and 1/2 digit LCD display. The corresponding temperature probes are connected to the device by means of a CINCH type connector. The probes using the Ni 1000/6180 sensing element of accuracy class A can be connected to the one device. The SENSITEST 204C version is able to measure temperature with the resolution of 0,1 °C, whereas the SENSITEST 2004C is able to perform this function with the resolution of 1 °C. The plastic box is made of the ABS (UL94HB) material. The thermometers meet the requirements of the IP 41 ingress protection according to the EN 60 529 standard.

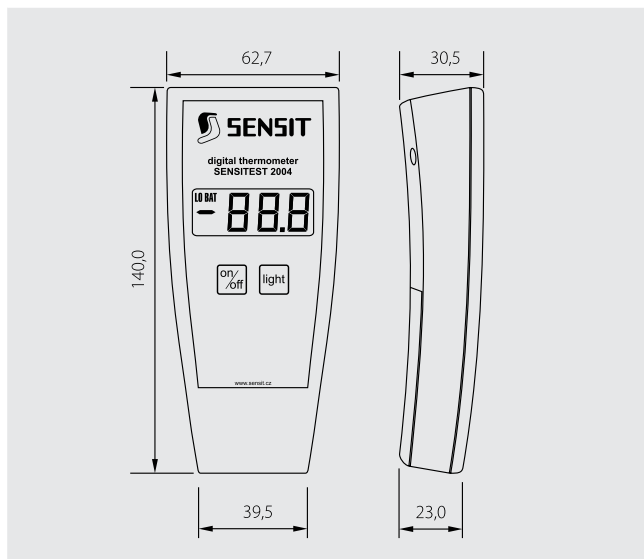
Possible battery voltage drop is indicated by the warning notice "LO BAT". Under reduced visibility conditions the display brightness can be enhanced by pushing the "Light" pushbutton. The standard operating temperature range is determined by the type of the temperature probe used, the maximum operating temperature range is -30 to 250 °C. Using the SENSITEST 204C the maximum temperature of 199,9 °C can be displayed. These digital thermometers are meant for operation in a chemically non-aggressive environment.



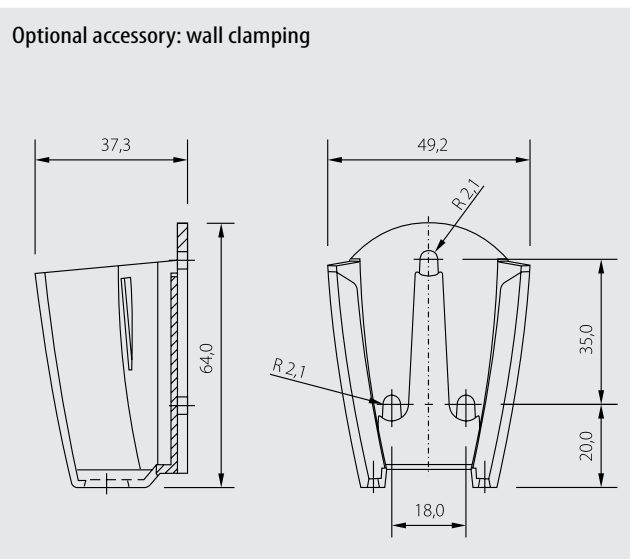
SPECIFICATIONS

Type of device	SENSITEST 204C	SENSITEST 2004C
Resolution	0,1 °C	1 °C
Type of sensing element	Ni 1000/6180	
Measurement speed	3 measurements per second	
Maximum operating temperature range	-30 to 199,9 °C	-30 to 250 °C
Power supply	9V battery 6F22 or NiCd cell	
Battery operation service hours	100 hours	
Measurement accuracy of the thermometer including a probe	0 to 100 °C ± (0,3 % of measure temperature + 1 digit)	-30 to 250 °C ± (0,4 % of measure temperature + 1 digit)
Display	3 and 1/2 digits – LCD, character height 13 mm	
Operating temperature	0 to 50 °C	
Connector	CINCH	
Material of the case	ABS (UL94HB)	
Colour of the case	black or white	
Case dimensions (V x Š x H)	62,7 x 140 x 30,5 mm	
Ingress protection	IP 41 according to EN 60 529	
Mass	0,11 kg (without battery)	

DIMENSIONAL DRAFT



Optional accessory: wall clamping



THERMOMETER USING

Switch on the device by the ON/OFF push button, which is located beneath the display unit.
 After switching the digital thermometer starts to measure the instant temperature immediately.
 When no temperature probe is connected, "0" is shown on the display.
 The battery is located under the removable cover at the device's rear side.
 Possible battery voltage drop is indicated by displaying the warning notice "LO BAT". In this case the battery 9V should be replaced.

HOW TO ORDER

Digital thermometers SENSITEST 204C a 2004C	8	0	B	0	3	0	0	0	0	0	0	0	E	0	
Connector	SENSITEST 204C		4												
CINCH	SENSITEST 2004C		5												
Box colour	White		0												
	Black		1												
Wall clamping	0	1	0	2	0	4	E								
Colour	White		5												
	Black		6												

WHEN ORDERING GOODS, THE FOLLOWING DATA ARE REQUIRED:

Required data	Example
Product type	SENSITEST 204C
Temperature probe type (room/contact/stick-in)	Stick-in probe S 1061/200, class A, connector CINCH, 2 m cable
Box colour (white/black)	White
Wall clamping (Yes/No)	Yes
Wall clamping colour (white/black)	White

DELIVERY

The following documents can be delivered together with the product: a calibration sheet; a certificate of completeness and quality.